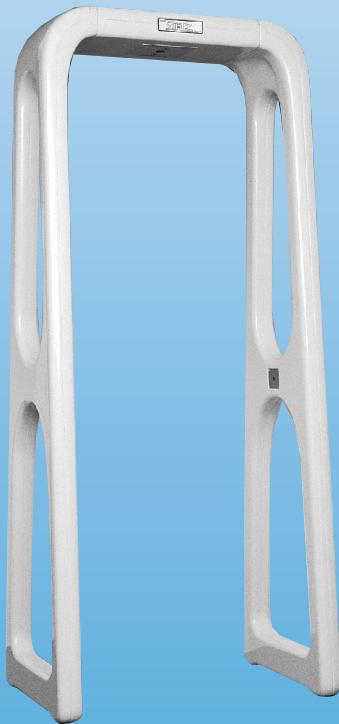


# Walk-through Metal Detectors

## Popular 2100



### Features

- Bi-directional operation
- Mass of metal indicator
- Detects ferrous and non-ferrous metals
- Free standing
- Durable fibreglass construction
- Available in various colours
- Auto-balance
- Infra-red photo cell
- Interlocking relay
- Adjustable sensitivity
- Audio alarm
- 3-part design for easy assembly and transportation (2100 unit only)

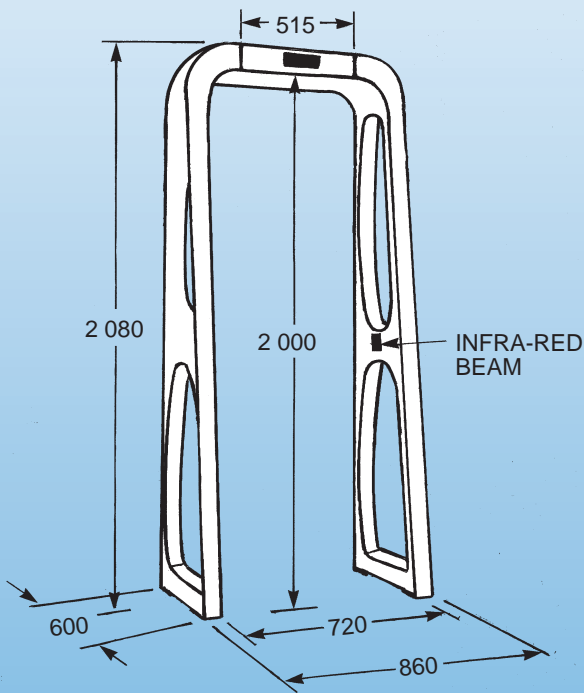
### Applications

- Airports
- Public buildings
- Law courts
- Prisons
- Discos
- Industrial premises
- Banks
- and many other applications

## ALSO AVAILABLE FROM SAFLEC

- Ultra-sensitive metal detectors
- Walk-through detectors for aesthetic environments
- Portable walk-through metal detectors
- Detectors for outside use
- Modular walk-through metal detectors for ease of transportation
- Custom designed metal detectors (also available in wood)
- Hand held metal detectors

# Popular 2100 Walk-through Metal Detectors



## Technical Data

### SUPPLY VOLTAGE

220 volt/110 volt  
50/60 Hz  $\pm$  5%

### POWER CONSUMPTION

5,5 VA

### AUDIO ALARM

This is fitted to provide an output of 75 dB at 100 mm from the unit

### WEIGHT

35 kg (approx.)

## Operation

The Popular 2100 was designed as a quality security detector with most of all the features of more expensive units.

The unit incorporates a detector coil and infra-red photocell in each side. When a pre-settable amount of metal passing through the unit is exceeded an audio alarm is given. In addition, a set of voltage-free contacts is provided to actuate a remote alarm, or lock a turnstile, etc.

The unit has indications of power as well as whether the unit is functioning correctly.

## Construction

The detector frame is constructed from fibreglass which ensures that the unit is robust and durable, and will not deteriorate with time. It is light and can be easily manoeuvred by one person.

The attractive modern shape incorporates open sides which minimises the feeling of being confined.

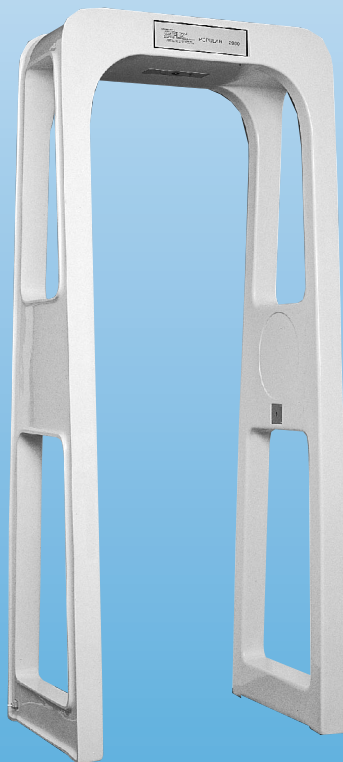
Mounting holes can be provided for 10 mm bolts on request. Five metres of mains supply cable is supplied as standard, entering the unit from roof level.

The detector is normally stocked in a standard light grey, but alternative colours can be specified.

**Supplied and Distributed By:**

# Walk-through Metal Detectors

## Popular 2000



### Features

- Bi-directional operation
- Mass of metal indicator (optional)
- Detects ferrous and non-ferrous metals
- Free standing
- Durable fibreglass construction
- Available in various colours
- Auto-balance
- Infra-red photo cell
- Interlocking relay
- Adjustable sensitivity
- Audio alarm

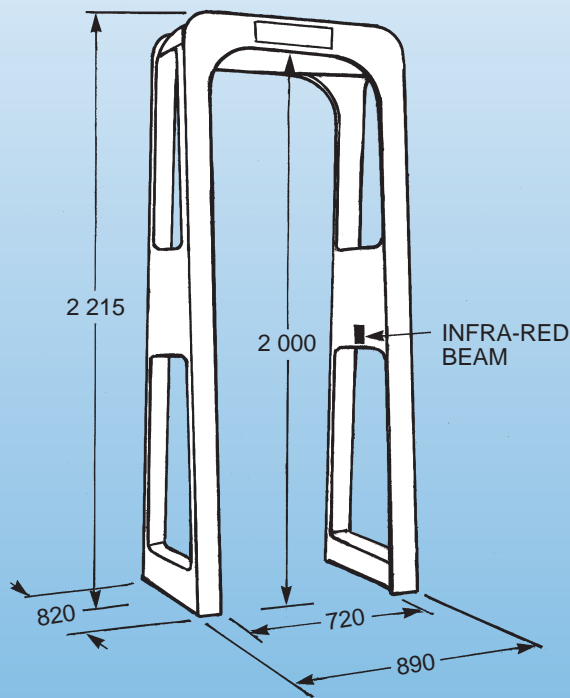
### Applications

- Airports
- Public buildings
- Law courts
- Prisons
- Discos
- Industrial premises
- Banks
- and many other applications

## ALSO AVAILABLE FROM SAFLEC

- Ultra-sensitive metal detectors
- Walk-through detectors for aesthetic environments
- Portable walk-through metal detectors
- Detectors for outside use
- Modular walk-through metal detectors for ease of transportation
- Custom designed metal detectors (also available in wood)
- Hand held metal detectors

# Popular 2000 Walk-through Metal Detectors



## Technical Data

**SUPPLY VOLTAGE**  
220 volt/110 volt  
50/60 Hz  $\pm$  5%

**POWER CONSUMPTION**  
5,5 VA

**AUDIO ALARM**  
This is fitted to provide an output of  
75 dB at 100 mm from the unit

**WEIGHT**  
35 kg (approx.)

## Operation

The Popular 2000 was designed as a quality security detector with most of all the features of more expensive units. The unit incorporates a detector coil and infra-red photocell in each side. When a pre-settable amount of metal passing through the unit is exceeded an audio alarm is given. In addition, a set of voltage-free contacts is provided to actuate a remote alarm, or lock a turnstile, etc.

The unit has indication of power as well as whether the unit is functioning correctly.

## Construction

The detector frame is constructed from fibreglass which ensures that the unit is robust and durable, and will not deteriorate with time. The attractive modern shape incorporates open sides which minimises the feeling of being restricted.

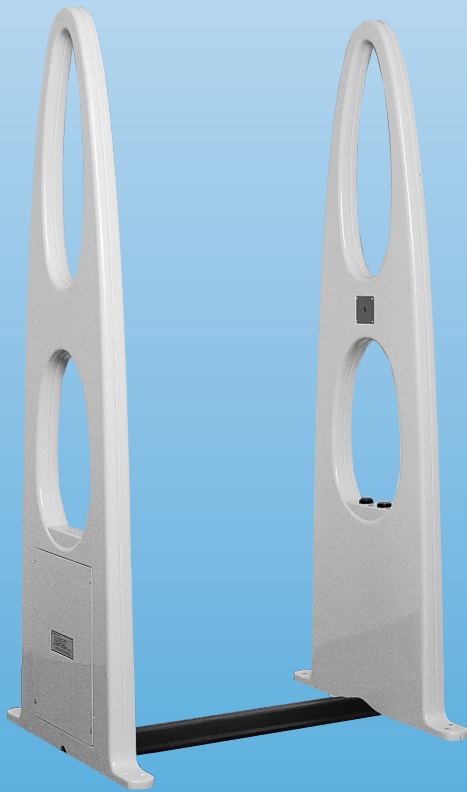
Mounting holes can be provided for 10 mm bolts, on request.

The detector is normally stocked in a standard light grey, but alternative colours can be specified.

**Supplied and Distributed By:**

# Walk-through Metal Detectors

## Searcher 2000



### Features

- Bi-directional operation
- Mass of metal indicator (optional)
- Detects ferrous and non-ferrous metals
- Durable fibreglass construction
- Available in various colours
- Auto-balance
- Infra-red photo cell
- Interlocking relay
- Adjustable sensitivity
- Audio alarm

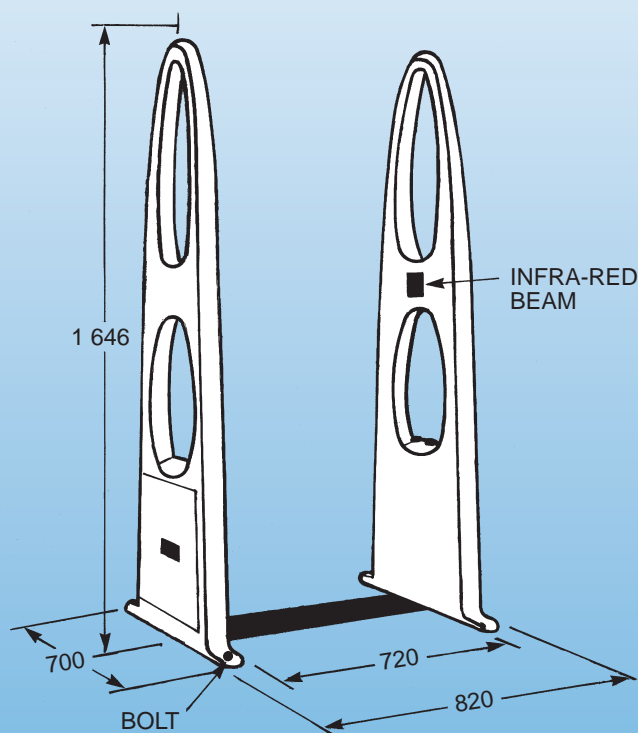
### Applications

- Airports
- Public buildings
- Law courts
- Prisons
- Discos
- Industrial premises
- Banks
- and many other applications

## ALSO AVAILABLE FROM SAFLEC

- Ultra-sensitive metal detectors
- Walk-through detectors for aesthetic environments
- Portable walk-through metal detectors
- Detectors for outside use
- Modular walk-through metal detectors for ease of transportation
- Custom designed metal detectors (also available in wood)
- Hand held metal detectors

# Searcher 2000 Walk-through Metal Detectors



## Technical Data

SUPPLY VOLTAGE  
220 volt/110 volt  
50/60 Hz  $\pm$  5%

POWER CONSUMPTION  
5,5 VA

WEIGHT  
35 kg (approx.)

## Operation

The Searcher 2000 was designed as a quality security detector with most of all the features of more expensive units. The unit incorporates a detector coil and infra-red photocell in each side. When a pre-settable amount of metal passing through the unit is exceeded an audio alarm is given. In addition, a set of voltage-free contacts is provided to actuate a remote alarm, or lock a turnstile, etc.

The unit has indication of power as well as whether the unit is functioning correctly.

## Construction

The unit comprises two fibreglass frames and a metal bridge-piece to allow cables to pass from one side to the other. The frames have an attractive modern shape incorporating open sides which minimises the feeling of being confined.

The Searcher 2000 is designed for permanent fixing to the floor with 10 mm bolts, and the bridge piece with 5 mm plugs, and all the mounting hardware such as masonry drills, rawl bolts, screws, etc. are supplied as part of the equipment. Five metres of mains supply cable is supplied as standard, entering the frame at ground level.

The detector is normally stocked in a standard light grey, but alternative colours can be specified.

**Supplied and Distributed By:**